

RWD

R640-S1

Flexible Veterinary Anesthesia Machine

Reliable Quality & Economical



01 Product introduction

02 Configuration & Specification

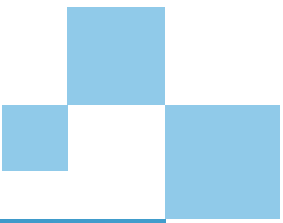
03 Competitive product analysis

CONTENTS

RWD

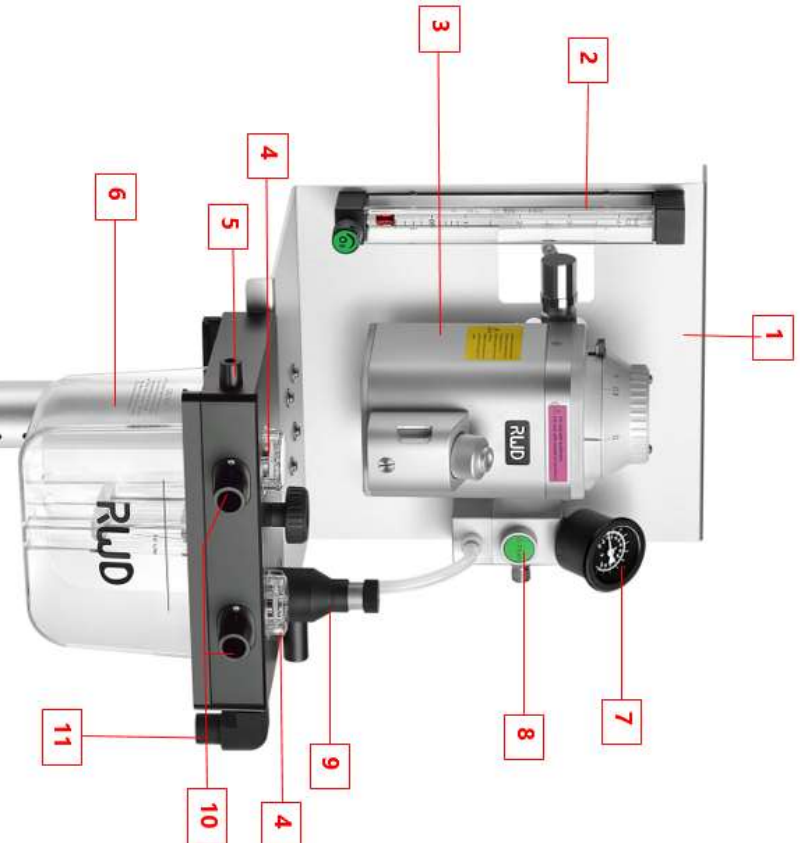


Product introduction



R640-S1 structure

RWD



name	function
1 Main support	Support for components.
2 O2 flowmeter	Control the oxygen flow rate
3 Vaporizer	It converts a liquid anesthetic agent into a vapor
4 Inspiration & expiration valve module	Control gas flow direction
5 Breathing circuit blocking plug	It's useful for system leak detection, adjusting system pressure and flushing circuit.
6 CO2 absorber canister	To absorb CO2 exhaled by the animal in the respiratory cycle
7 Pressure Gauge	Measures and displays the pressure of gas mixture in breathing circuit
8 O2 flush button	Large flow of fast oxygen
9 APL valve	Relief pressure and a key off function
10 Rebreathing circuit port	Used for connecting to a rebreathing circuit
11 Breathing bag mount	Used for connecting to a breathing bag



R640-S1 Flexible Veterinary Anesthesia Machine

It is suitable for clinical anesthesia of dogs, cats, pigs, monkeys, rodents, reptiles and other animals. It is really **economical** and **fashionable**.

01

Fashion color



02

Economical



Product advantages

RWD

Two colors



Mounting hole for monitor shelf



Support Re-breathing and Non-Rebreathing

01

Included



Re-breathing circuit: Suitable for animals weighing 7kg~100kg

02

Optional

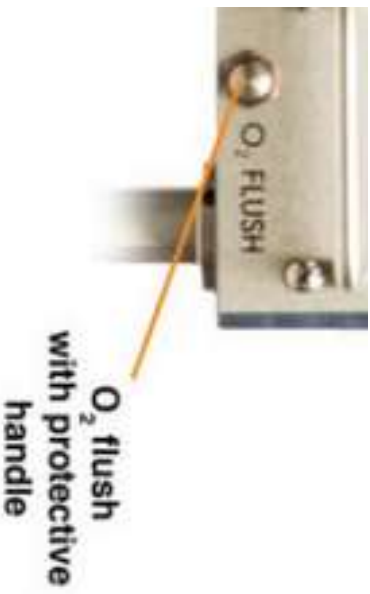


Non-Rebreathing circuit: Suitable for animals within 7kg

Meet the needs of animals with different body weight (less than 100Kg)



Flush oxygen button



Other brands



R640-S1

Recessed oxygen flush button——In case of unintentional pressing



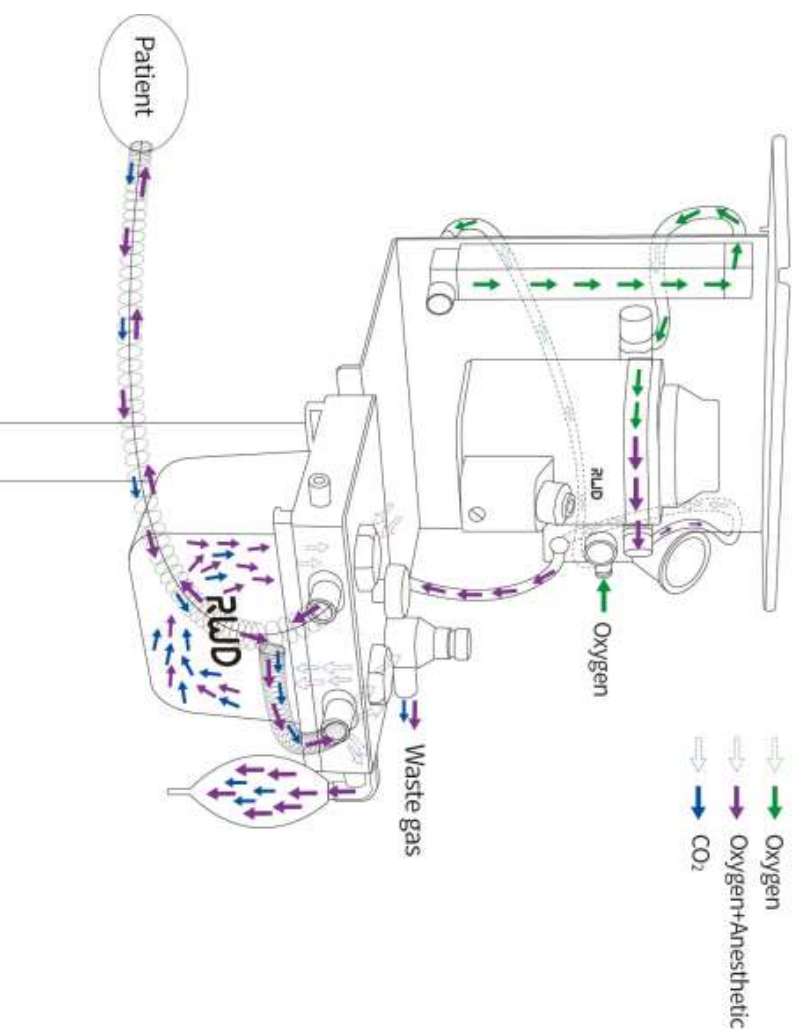
What Makes the R640-S1 Great?

RWD

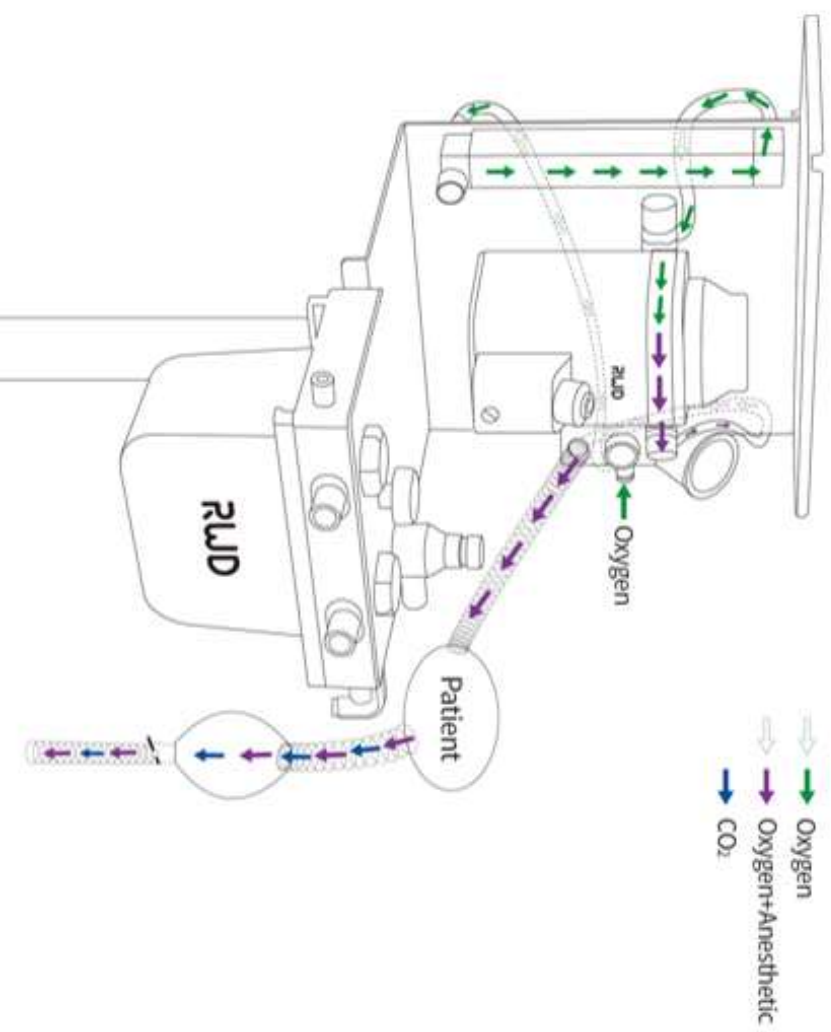
- Red/silver colors available--Satisfy your preferences.
- Support Re-breathing and Non-rebreathing(optional), Suitable for animals within 100 kg.
- Support cage mount and Selectatec to meet the needs of different customers.
- Optional monitor shelf and canister holder will give you a better experience
- Recessed oxygen flush button--Unintentional pressing will never happen
- Readable red rotary float
- Blocking bar design for breathing circuit, Convenient for air tightness test.
- 5Freewheel with lock --More stable.



How it works—Re-breathing circuit

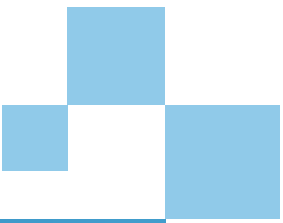


How it works—Non-re-breathing circuit



RWD

Configuration & Specification



Standard configuration



Item	Specification
R640-S1 Series mounting assembly with O2 flowmeter(0.1-4LPM)	Fixture assembly×1, Moving bracket assembly×1, Main circuit assembly×1
R580S vaporizer	vaporizer-isoflurane/Pour Fill/Cagemount
Re-breathing circuit	Low air resistance limbo breathing circuit, 1.5m
Vaporizer Endcaps	A pair
Oxygen tube	ID8.0-9/16 splice, M16*1.5 splice, 2m
Breathing bag	1L

Anesthesia machine	Cat No	Product	Specification
Anesthesia machine	R-NBC-F(JR)	Non-re-breathing circuit	Mapleson F-typeNon-re-breathing circuit
	R640-S1-MS-R	Red monitor shelter	330×230mm
	R640-S1-MS-S	Silver monitor shelter	330×230mm
	R-PG-O2-1M(CN)Pro	Regulator	Out put pressure 0.35-0.45MPa
	R-CH	Holder for canister	Filter bracket×1, locking ring×1, screw×2
	R548	Weighing meter	Resolution ratio 1g
	R548-MB	Holder for weighing meter	265×150mm
		Mobile bracket assembly (with 4-foot base)	Column assembly (with 4-foot base)×1, The base components×1, Caster wheel lock×4
		Pallet assembly (with 4-foot base)	shelter×1, screw×4
	R600-NL-0.5	Breathing bag	0.5L
R600-NL-2	Breathing bag	2L	

	Cat No	Product	Specification
Consumables and others	R600-ET	Endotracheal tubes	ID2.0~10.0mm,17pcs/set
	C45001-00	Miller Bulb-type laryngoscope	5×blade, 1×handle
	C45002-00	Miller Fiber-type laryngoscope	5×blade, 1×handle
	R510-31-6	Gas filter canister	6 pcs

Anesthesia machine	
1.Applicable weight range	7 kg to 100 kg of animals
2.Breathing circuit	Support Re-breathing circuit and can expand Non-circulation circuit.
4.Pressure Gauge	Range: -20-100 cmH2O
5.Calcium lime box	1750ml
6.APL valve	With blocking and pressure relief function
7.Oxygen flow meter:	0-4LPM

Vaporizer

Out concentration	0~5%(isoflurane) ; 0~8% (sevoflurane)
Accuracy	±0.1 (0~1%) ; ±0.15 (>1%)
Working temperature	10~35°C
Operating flow range	0.2-10LPM
Output pressure fluctuation range	$P \leq 2.5$kPa
Volume	>120ml
Drug-added ways	Pour fill

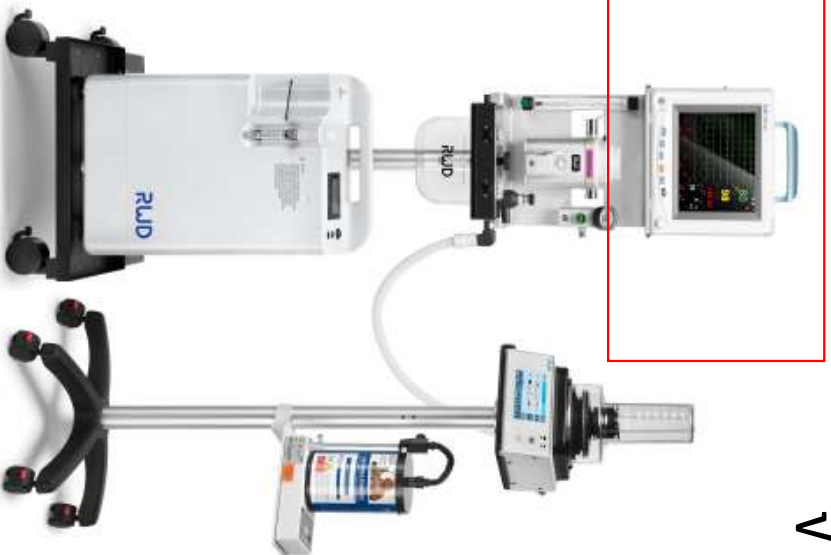
RWD



**Competitive
product
analysis**

RWD R640-S1

✓



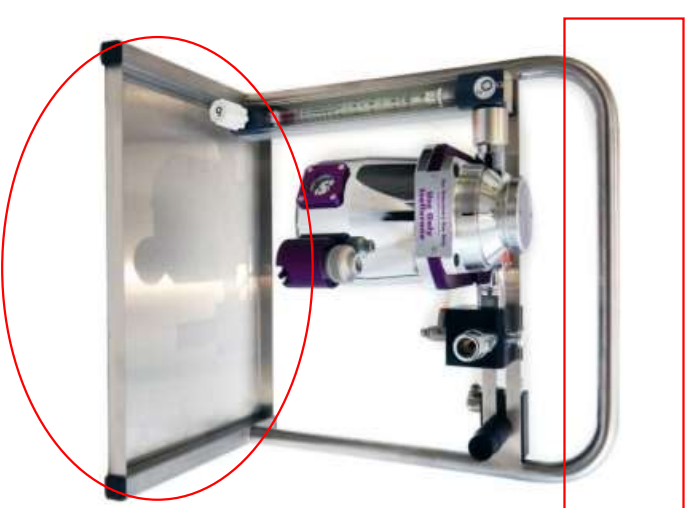
VS

shelf to place monitor

R640-S1 is very **compact**. We got shelf on the top to place monitor and all the products are designed for saving place, because most operating room are small, so it can help hospitals greatly save space and operate smoothly.

✗

NorVap - "Table Top" model



RWD R640-S1

VS

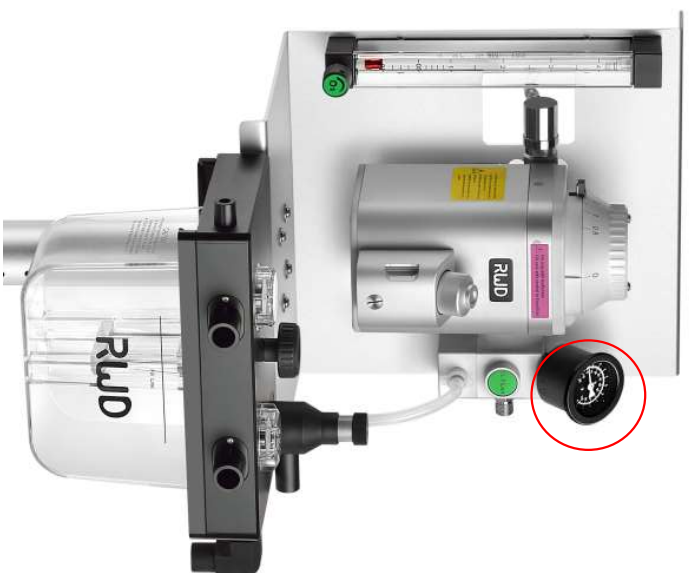
NorVap - "Table Top" model

✓

Pressure Gauge

— Safety

✗



We have a pressure gauge to monitor the pressure of the circuit at any time, especially when the local veterinarian in Bulgaria is not that superb, which can prevent the accident even the customer complaints caused by clients .



RWD R640-S1

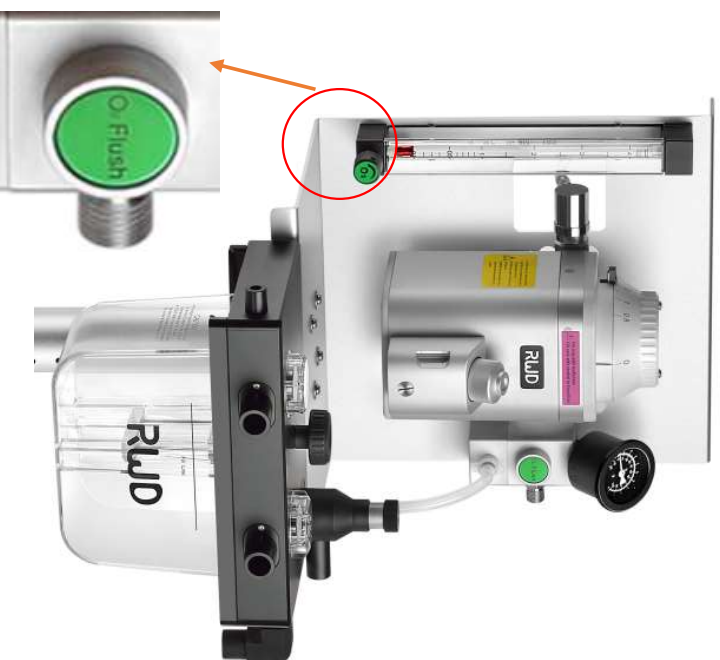
VS

NorVap - "Table Top" model

V

Oxygen flush button

X



Recessed oxygen flush button—In case of **unintentional pressing** and **prevent emergencies**



RWD R640-S1



✓

VS

Support Re-breathing and Non-Rebreathing

NorVap - "Table Top" model

✗

With re-breathing system, it can help vets **save anesthetics**, especially for large animals.



RWD R640-S1

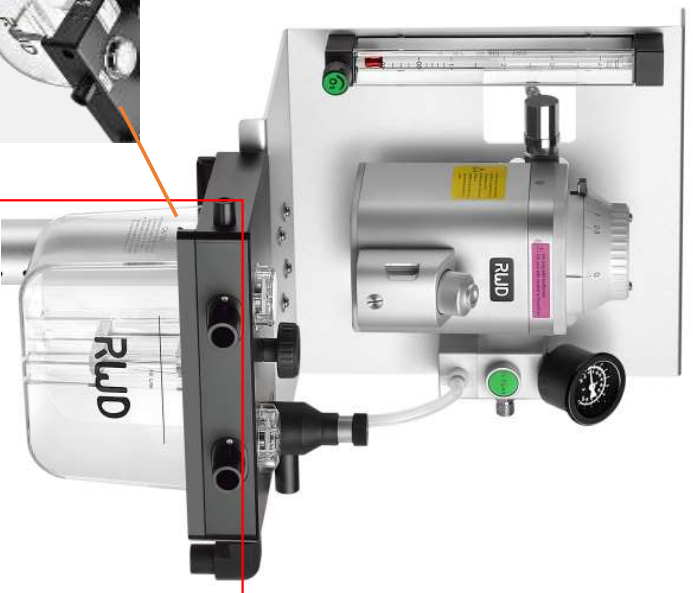
VS

NorVap - "Table Top" model

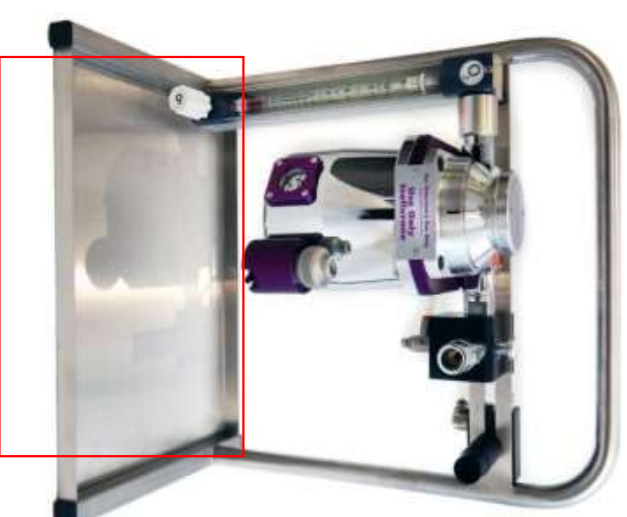
✓

Slide rail type CO2 absorber canister

✗



The CO2 absorber canister with sliding rails helps to absorb carbon dioxide, **recover anesthetics**, and is **easy to replace**.



RWD R640-S1

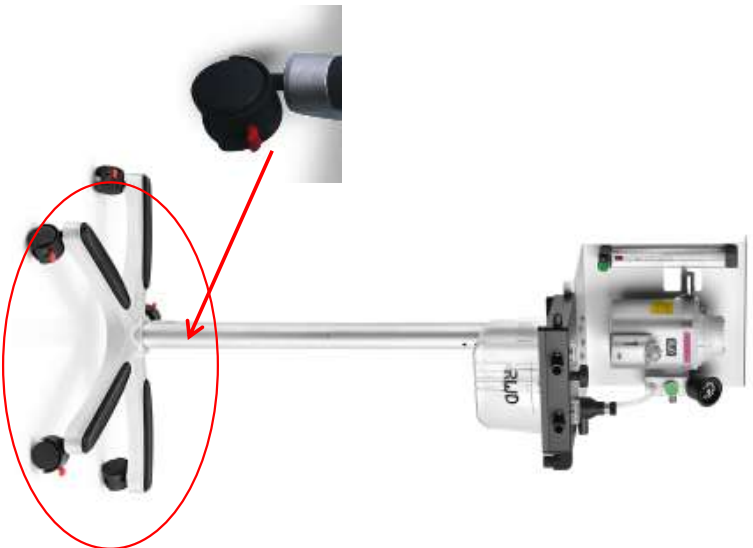
VS

NorVap - "Table Top" model

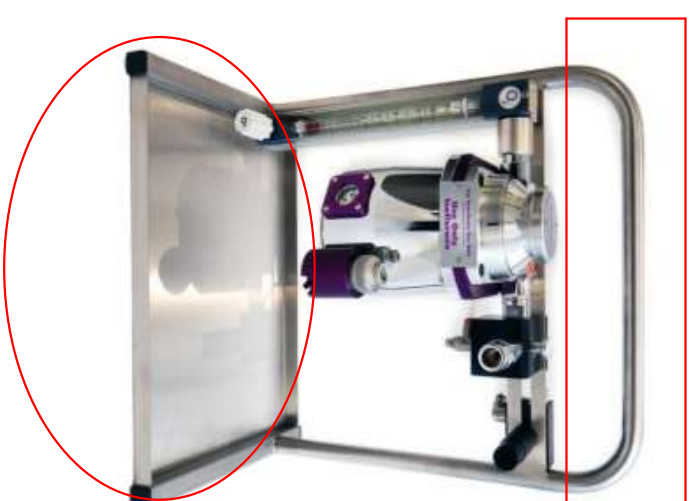
✓

Five Casters with caster lock

✗



R640-S1 is **flexible**, with casters and lock, it's convenient to move and stuck.



RWD R640-S1

✓



VS

One-stop solution

R640-S1 our model have one-stop solution which can save place and looks high-end to enhance the figure of hospital.

✗

NorVap - "Table Top" model



THANKS

谢谢聆听

深圳市瑞沃德生命科技有限公司